

150*150*51mm
 7 Impellers
 133 ~ 200 CFM



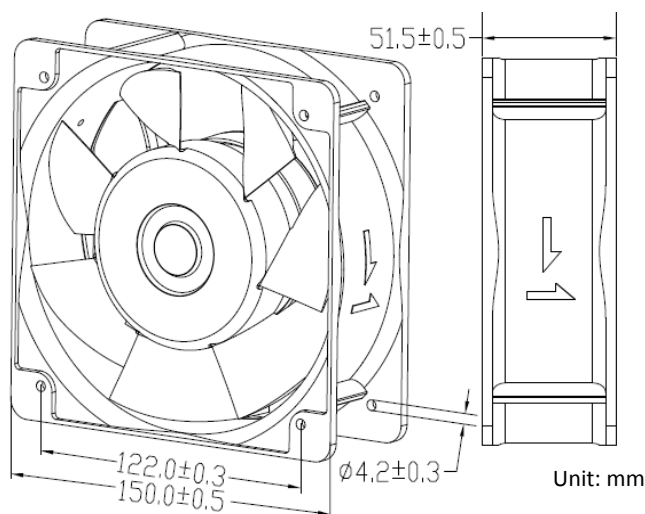
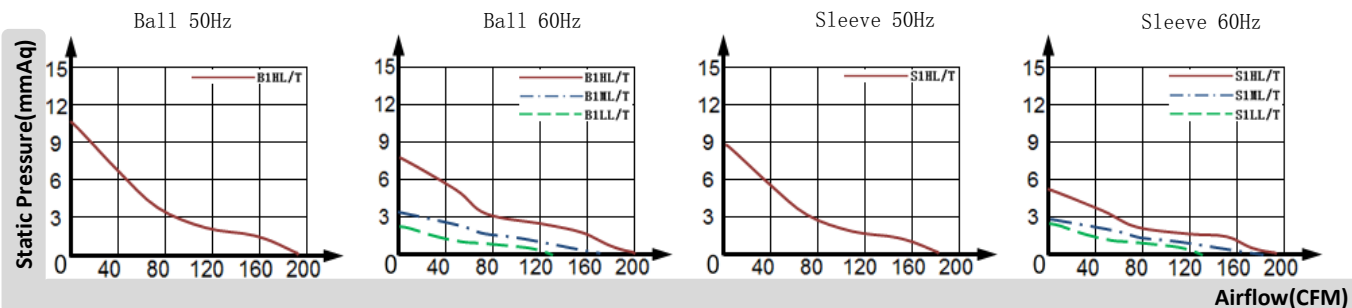
Specifications

Model	Bearing	Voltage	Frequency	Current	Power	Speed	Air Flow		Static Pressure	Noise
		VAC	Hz	A	W	RPM	CFM	m ³ /min	mm H ₂ O	dB-A
15050B1HLZ	Ball	115	50/60	0.63/0.56	46/41	2700/3000	190/200	5.38/5.67	10.7/7.8	57/61
15050B1HTZ	Ball	115	50/60	0.63/0.56	46/41	2700/3000	190/200	5.38/5.67	10.7/7.8	57/61
15050B1MLZ	Ball	115	60	0.43	32	2450	172	4.87	3.2	53
15050B1MTZ	Ball	115	60	0.43	32	2450	172	4.87	3.2	53
15050B1LLZ	Ball	115	60	0.38	29	2000	133	3.77	2.2	45
15050B1LTZ	Ball	115	60	0.38	29	2000	133	3.77	2.2	45
15050S1HLZ	Sleeve	115	50/60	0.65/0.57	47/43	2700/2900	182/195	5.15/5.52	8.8/5.2	56/59
15050S1HTZ	Sleeve	115	50/60	0.65/0.57	47/43	2700/2900	182/195	5.15/5.52	8.8/5.2	56/59
15050S1MLZ	Sleeve	115	60	0.46	35	2500	170	4.82	2.8	53
15050S1MTZ	Sleeve	115	60	0.46	35	2500	170	4.82	2.8	53
15050S1LLZ	Sleeve	115	60	0.43	32	1900	133	3.77	2.2	44
15050S1LTZ	Sleeve	115	60	0.43	32	1900	133	3.77	2.2	44

All model could be customized. Please contact with YYC Sales.
 Specifications are subject to change without notice.

Safety: UL/TUV/CE/CCC

Air Flow-Static Pressure Characteristics



- Frame: Aluminum alloy
- Impeller: PBT Plastic
- Protected: Impedance protected or Thermally protected
- Connection: Lead Wire or Terminals
- Ball Bearing: -20 °C to +70 °C
- Sleeve Bearing: -10 °C to +70 °C
- Package: 20PCS/CTN

Unit: mm