

92\*92\*25mm  
 Ya-cool  
 33 ~ 40 CFM



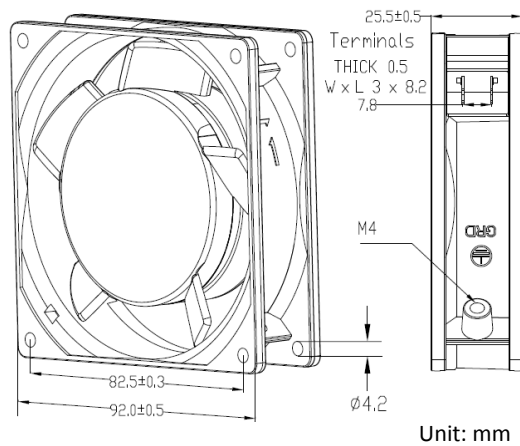
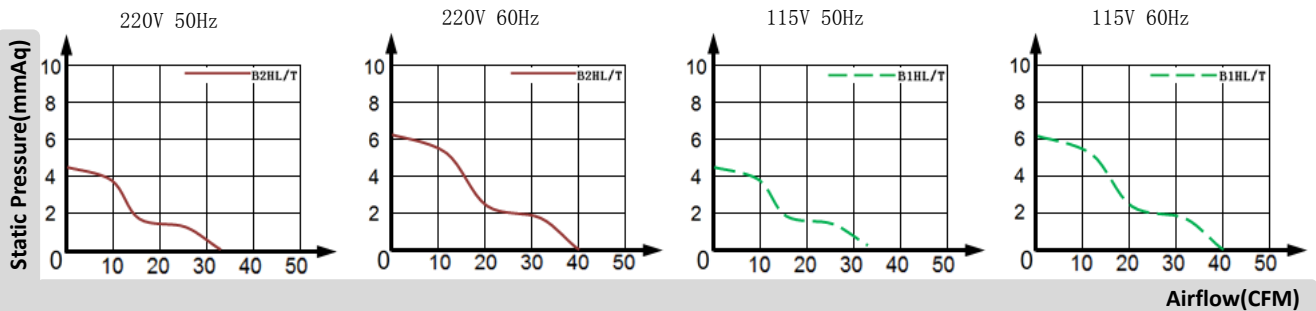
Specifications

Model	Bearing	Voltage	Frequency	Current	Power	Speed	Air Flow		Static Pressure	Noise
		VAC	Hz	A	W	RPM	CFM	m <sup>3</sup> /min	mm H <sub>2</sub> O	dB-A
9225B2HL	Ball	220-240	50/60	0.09/0.07	14/10	2600/3000	33/40	0.93/1.13	4.2/6.1	32/46
9225B2HT	Ball	220-240	50/60	0.09/0.07	14/10	2600/3000	33/40	0.93/1.13	4.2/6.1	32/46
9225B1HL	Ball	115	50/60	0.18/0.14	14/10	2600/3000	33/40	0.93/1.13	4.2/6.1	32/46
9225B1HT	Ball	115	50/60	0.18/0.14	14/10	2600/3000	33/40	0.93/1.13	4.2/6.1	32/46

All model could be customized. Please contact with YYC Sales.  
 Specifications are subject to change without notice.

Safety: UL/TUV/CE/CCC

Air Flow-Static Pressure Characteristics



- Frame: Aluminum alloy
- Impeller: PBT Plastic
- Protected: Impedance protected
- Connection: Lead Wire or Terminals
- Ball Bearing: -20 °C to +70 °C
- Sleeve Bearing: -10 °C to +70 °C
- Package: 50PCS/CTN