

150\*150\*51mm

130 ~ 190 CFM



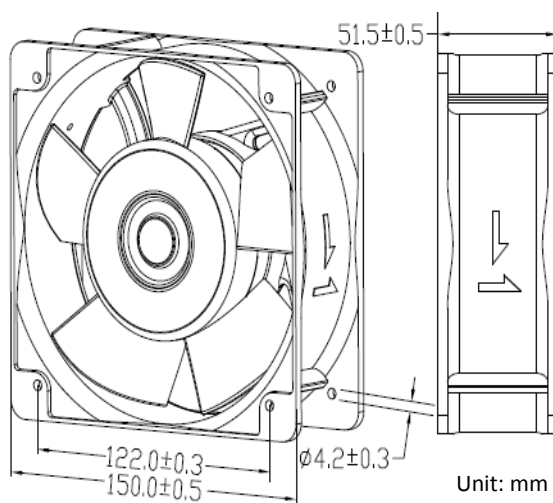
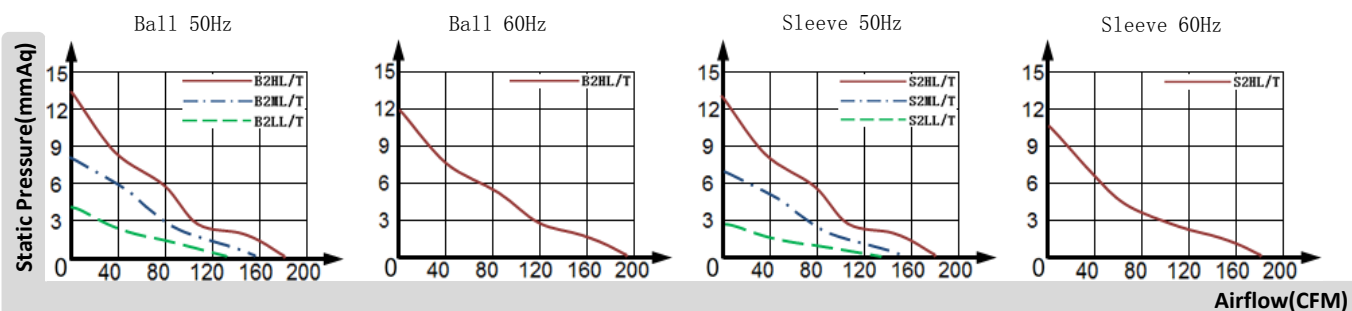
Specifications

Model	Bearing	Voltage	Frequency	Current	Power	Speed	Air Flow		Static Pressure	Noise
		VAC	Hz	A	W	RPM	CFM	m <sup>3</sup> /min	mm H <sub>2</sub> O	dB-A
15050B2HLZ	Ball	220-240	50/60	0.31/0.26	42/37	2700/3000	178/190	5.04/5.38	13.3/12.1	56/60
15050B2HTZ	Ball	220-240	50/60	0.31/0.26	42/37	2700/3000	178/190	5.04/5.38	13.3/12.1	56/60
15050B2MLZ	Ball	220-240	50	0.15	22	2450	155	4.39	8.0	52
15050B2MTZ	Ball	220-240	50	0.15	22	2450	155	4.39	8.0	52
15050B2LLZ	Ball	220-240	50	0.14	20	2050	133	3.77	4.0	47
15050B2LTZ	Ball	220-240	50	0.14	20	2050	133	3.77	4.0	47
15050S2HLZ	Sleeve	220-240	50/60	0.31/0.27	42/39	2700/2900	175/186	4.96/5.27	13.0/11.0	56/59
15050S2HTZ	Sleeve	220-240	50/60	0.31/0.27	42/39	2700/2900	175/186	4.96/5.27	13.0/11.0	56/59
15050S2MLZ	Sleeve	220-240	50	0.17	25	2400	155	4.39	6.8	51
15050S2MTZ	Sleeve	220-240	50	0.17	25	2400	155	4.39	6.8	51
15050S2LLZ	Sleeve	220-240	50	0.13	20	1950	130	3.68	2.7	45
15050S2LTZ	Sleeve	220-240	50	0.13	20	1950	130	3.68	2.7	45

All model could be customized. Please contact with YYC Sales.  
 Specifications are subject to change without notice.

Safety: UL/TUV/CE/CCC

Air Flow-Static Pressure Characteristics



Unit: mm

- Frame: Aluminum alloy
- Impeller: PBT Plastic
- Protected: Impedance protected or Thermally protected
- Connection: Lead Wire or Terminals
- Ball Bearing: -20 °C to +70 °C
- Sleeve Bearing: -10 °C to +70 °C
- Package: 20PCS/CTN